

► **Code Number**

3324483

► **Description**

Battery powered, infrared, sensor activated, electronic, chrome plated die cast body, hand washing faucet for pre-tempered or hot and cold water operation.

► **Flow Rates**

0.5 gpm / 1.9 Lpm

► **Specifications**

Battery Powered, Sensor Activated, Electronic, Chrome Plated Die Cast Body, Hand Washing Faucet with the following features:

- All serviceable components above deck
- One tool service
- All wetted components to be stainless steel, engineered thermoplastic, EPDM, and copper or copper alloy
- Solenoid housed in removable carrier that includes supply strainer
- Integral water supply shut off
- Supply strainer serviceable from above deck
- Vandal resistant spray insert, key housed inside faucet body
- All electronics sealed to IP-67
- Gold plated electrical contacts
- Above deck individual diagnostic indicators for battery life, solenoid condition, and power up mode
- Flexible, high pressure supply hoses, 3/8" compression connections
- Four (4) "AA" alkaline batteries
- Double infrared sensors with automatic setting feature
- Single hole installation
- Includes all mounting hardware
- Line purge mode, eliminates stagnant water
- Adjustable time-outs
- Faucet can be configured to add solar and/or LCD display
- Bi-stable Magnetic Solenoid Valve

► **Variations**

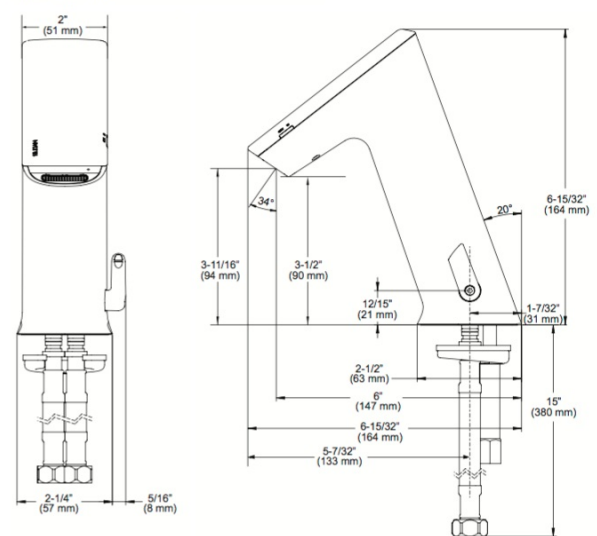
Polished Brass (PB / PVD Finish)

► **Options (Ordered Separately)**

- Splitter (included in hardwire less adapter)
- 11-13/16" Extension Cable
- 47-1/4" Extension Cable
- 126" Extension Cable
- Thermostatic Mixer, Below Deck



DIMENSIONS



EFX-250.500.0000 Shown (Standard Model with Integral Side Mixer)

► **Compliance & Certifications**

ASME A112.18.1/CSA B125.1, NSF 372, ANSI/UL 1951, ICC/ANSI 117.1
CEC Compliant



CALGreen



This space for Architect/Engineer Approval

► **Sensor Range**

Nominal: 4" - 5" (102 mm - 127 mm)

Faucet Adaptive Self-adjustment Range: 2"-14" (51 mm -356 mm) nominal

► **Battery Life**

3-years under worst case conditions of 8,000 cycles per month and high water pressure. Optional power harvesting may extend service life of batteries to equal the shelf life.

► **Time Out Setting**

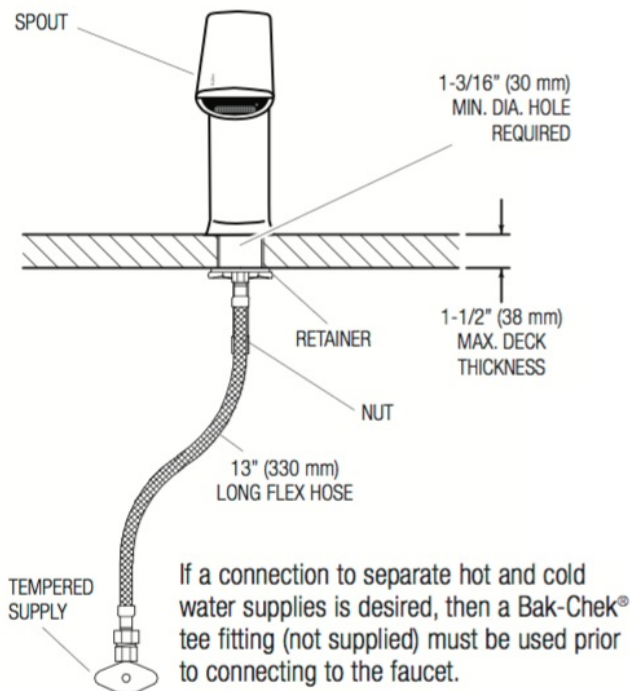
30 seconds — Maximum time faucet will run upon continuous detection

► **Control Circuit**

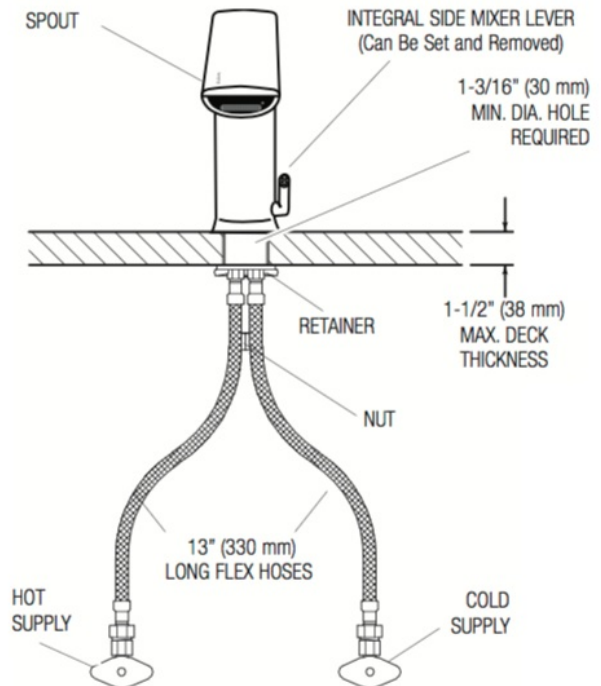
6.75 VDC

► **ROUGH-IN**

EFX-250.00X.XXXX
Faucet with Single Line Water Supply



EFX-250.50X.XXXX
Faucet with Hot and Cold Water Supply



When the BASYS Series faucet is installed on a sink that has three (3) hole punchings, a Base Plate should be used.

Base Plates should be specified at time of order.

EFX-20 – 4" Centerset

EFX-26 – 8" Centerset